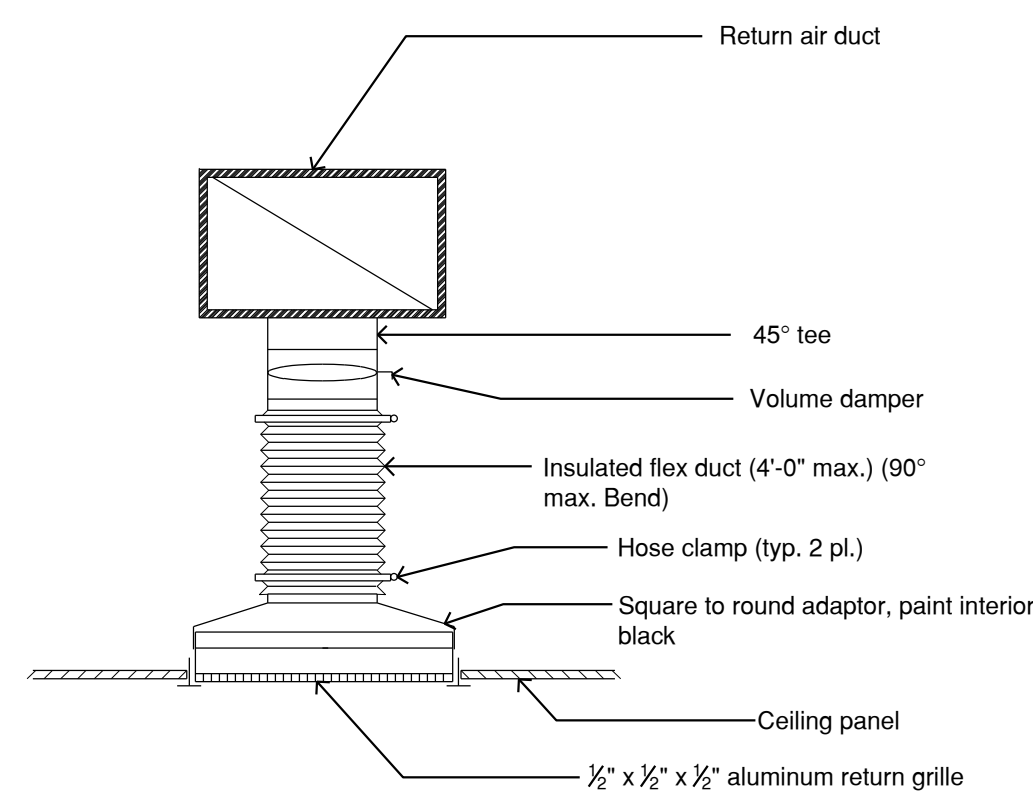


**D 6**  
M1.0  
**Fire Damper**  
Scale: None



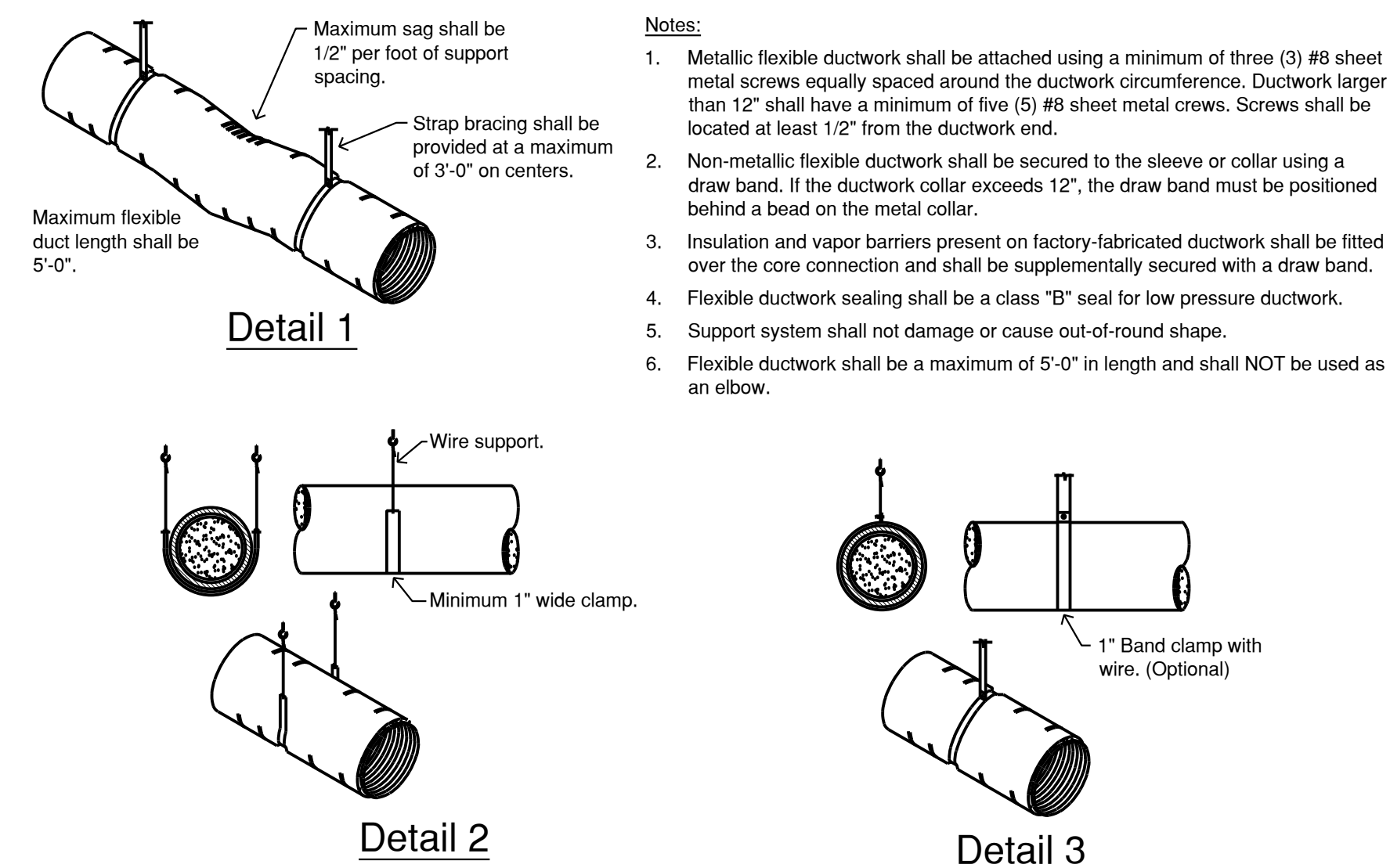
**D 3**  
M1.0  
**Return Air Connection**  
Scale: None

Exhaust Fan Schedule									
Mark	Area Served	Model	Airflow (CFM)	Static Pressure (in. w.g.)	Electrical Connection			Weight (lbs)	Remarks
					Voltage (V)	Phase (Ø)	Power (hp)		
EF-1	Varios	Greenheck G-985-D	300	0.5	120	1	1/2	26	1,2,3,4,5

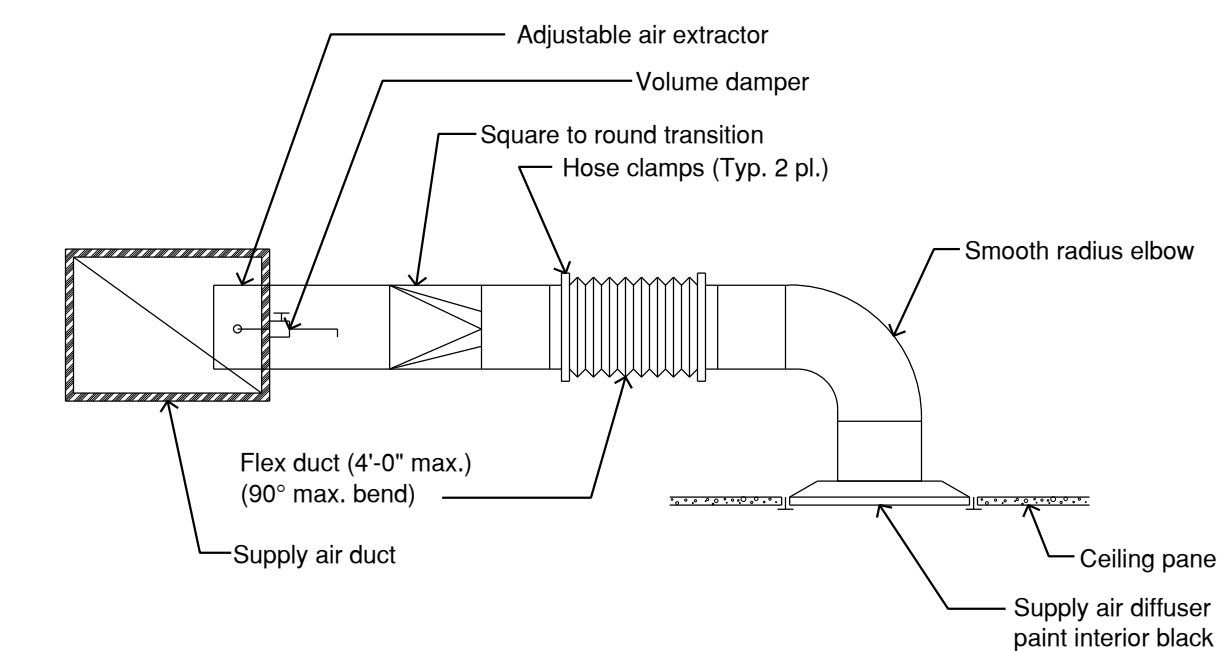
**Notes:**  
 1. Install fan on curb provided by Fan MFR. Provide tapered curb.  
 2. Gravity back draft damper by Fan MFR.  
 3. Direct drive with solid state speed controller.  
 4. Disconnect by Fan MFR.  
 5. Fan shall operate via via time clock located next to electrical panels.

Terminal Outlets							
Mark	Function	Price Model	Airflow Range (CFM)	Face Size (in.)	Neck Size (in.)	Color	Remarks
CD-1	Supply Diffuser	SMDA	50-140	24 x 24	6 x 6	White	1,2
CD-2	Supply Diffuser	SCDA	141-200	24 x 24	8Ø	White	1,2
CD-3	Supply Diffuser	SCDA	201-325	24 x 24	10Ø	White	1,2
CD-4	Supply Diffuser	SCDA	326-475	24 x 24	12Ø	White	1,2
SR-1	Supply Register	520S	0-100	7 3/4 x 7 3/4	6 x 6	White	1,2
SR-2	Supply Register	520S	101-200	11 1/2 x 7 3/4	10 x 6	White	1,2
ER-1	Exhaust Register	530	0-100	9 1/2 x 9 1/2	6 x 6	White	1,2
RG-1	Return Grille	535	0-100	7 3/4 x 7 3/4	6 x 6	White	1,2
RG-2	Return Grille	535	101-450	13 3/4 x 13 3/4	12 x 12	White	1,2
RG-3	Return Grille	535	451-1000	25 3/4 x 13 3/4	24 x 12	White	1,2

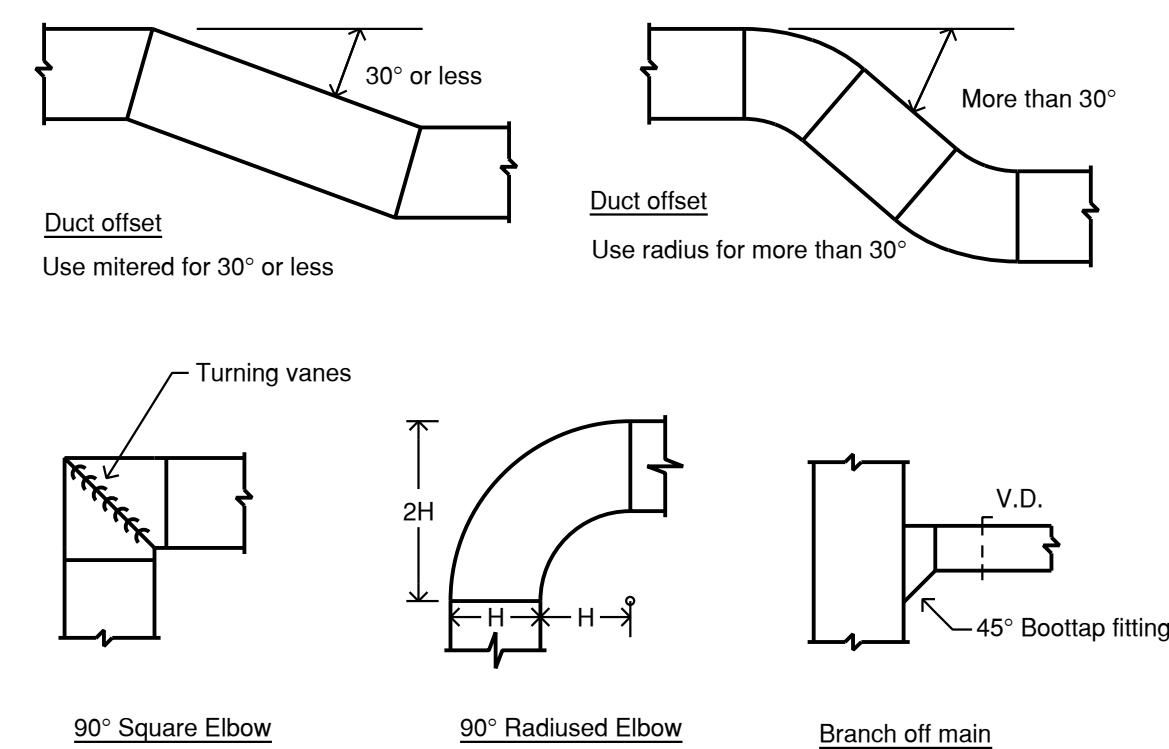
**Notes:**  
 1. Provide factory extended panel for any diffuser which is smaller than the grid in which it is installed.  
 2. Provide plaster frame for diffusers, registers and grilles installed in gypsum board.



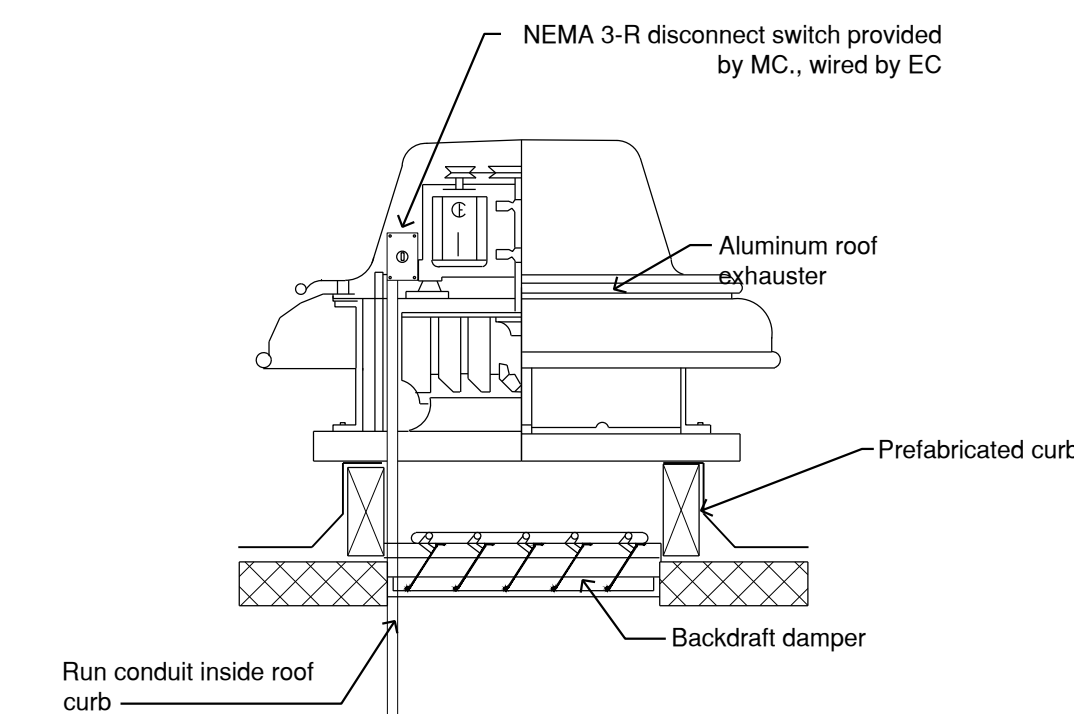
**D 4**  
M1.0  
**Insulated Flexible Ductwork**  
Scale: None



**D 2**  
M1.0  
**Supply Air Diffuser Connection**  
Scale: None

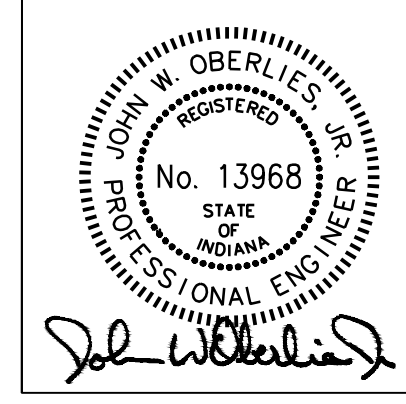


**D 5**  
M1.0  
**Low Velocity Sheet Metal Fittings**  
Scale: None



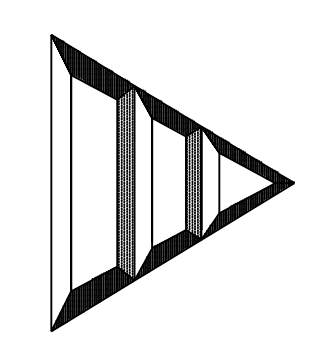
**Note:** Roof opening shall conform to manufacturer's curb size.

**D 1**  
M1.0  
**Downblast Roof Exhaust Fan with Curb**  
Scale: None



**JOHN OBERLIES CONSULTING ENGINEERS INC.**  
 PLUMBING  
 ELECTRICAL  
 MECHANICAL

Proposed Dialysis Clinic for:  
**NOBLESVILLE EXPANSION**  
 165 Sheridan Road  
 Noblesville, IN 46060



This is the place where a disclaimer statement can be placed.

Drafted By: NAS  
 Checked By: JWO  
 Date Drawn: 07/20/10

REV #	DATE	REVISION DESCRIPTION
X/XX/XX	XXXXXXXXXXXXXX	
X/XX/XX	XXXXXXXXXXXXXX	
X/XX/XX	XXXXXXXXXXXXXX	
X/XX/XX	XXXXXXXXXXXXXX	
X/XX/XX	XXXXXXXXXXXXXX	
X/XX/XX	XXXXXXXXXXXXXX	
X/XX/XX	XXXXXXXXXXXXXX	
X/XX/XX	XXXXXXXXXXXXXX	
X/XX/XX	XXXXXXXXXXXXXX	
X/XX/XX	XXXXXXXXXXXXXX	

**M1.0**